

Pulp and Paper

Pulp Production

Chemical Recovery

Paper Stock Preparation

Paper Manufacturing

Mill and Environmental Services



Pump Supplier To The World

Flowserve is the driving force in the global industrial pump marketplace. No other pump company in the world has the depth or breadth of expertise in the successful application of pre-engineered, engineered and special purpose pumps and systems.

Supplier of Choice to the Pulp and Paper Industry

As one of the world's largest users of water, pulp and chemicals – for digestion, stock preparation, washing, bleaching, chemical recovery and recycling, and environmental control – the pulp and paper industry requires pumps of virtually every size and type for successful operation. As a leader in pump research and development, Flowserve offers a broad range of pump designs and industry experience to address the needs of the pulp and paper industry.

Heritage Names of Distinction

ACEC™ Centrifugal Pumps

Aldrich® Pumps

Byron Jackson® Pumps

Cameron® Pumps

Durco® Pumps

Flowserve® Pumps

IDP® Pumps

Jeumont-Schneider™ Pumps

Pacific® Pumps

Pleuger® Pumps

Scienco® Pumps

Sier-Bath® Rotary Pumps

TKL™ Pumps

United® Centrifugal Pumps

Western Land Roller® Irrigation Pumps

Wilson-Snyder® Pumps

Worthington® Pumps

Worthington Simpson® Pumps



Pump Designs

Flowserve offers a wide range of complementary pump types, built to recognized global standards and customer specifications. These include:

- Single Stage Process
- Between Bearing Single Stage
- Between Bearing Multistage
- Vertical
- Submersible Motor
- Rotary
- Reciprocating
- Nuclear
- Specialty

Available Configurations

- Sealed and Sealless
- Axially and Radially Split
- Volute and Diffuser
- Close Coupled and Long Coupled
- Single and Double Casing

Dynamic Technologies

Few if any pump companies can match the capabilities in hydraulic and mechanical design or in materials engineering that Flowserve possesses.

Among these capabilities are:

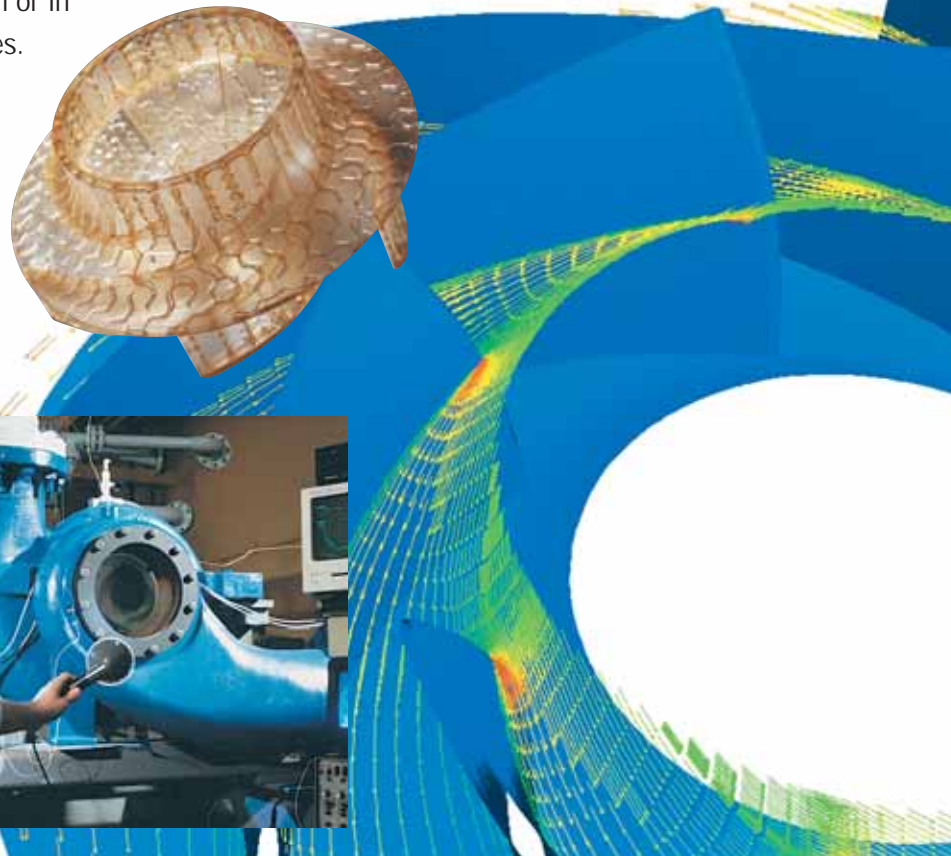
- Computational fluid dynamics
- Flow visualization
- Cavitation studies
- Efficiency optimization
- Finite element analysis
- Rapid prototyping
- Captive alloy foundries
- Non-metallic materials processing and manufacturing



Market Focused Customer Support

Product and industry specialists develop effective proposals and solutions directed toward market and customer preferences. They offer technical advice and assistance throughout each stage of the product life cycle, beginning with the inquiry. This provides the following benefits:

- Advanced technology solutions
 - Order engineering
 - Hydraulic engineering
- Broad product reliability
- Worldwide service and support
- Competitive price and delivery
- Technology innovation
- Applications expertise



*The Pulp and
Paper Industry –
Flowserve Interface*

While facing many of the same business challenges as other global industries, the pulp and paper industry is focused on process refinements that enhance productivity, increase energy efficiency and protect the environment. Whether using the kraft or the sulfite method, oxygen or chlorine bleaching, virgin stock or secondary fibers, Flowserve can fully meet the liquid movement needs of the pulp and paper industry.



Materials Expertise

Flowserve offers its customers an extensive range of corrosion-resistant materials – both metallic and non-metallic – along with the materials application expertise to provide the most cost-effective solutions for the very difficult services found in the pulp and paper industry.

In the forefront of materials engineering, Flowserve has developed numerous alloys, including: Alloy 20 (CN7M), a highly corrosion-resistant austenitic stainless steel; X-Cavalloy, a proprietary cavitation-resistant material; Durcomet 100 (CD4MCuN), the first duplex stainless steel; and DC8, a proprietary cobalt-based alloy. Flowserve also designed the industry's first epoxy pump and the first fully PTFE-lined pump.

Engineering Design

Flowserve pumps are renowned for their reliability with minimal total life cycle cost. They are versatile and adaptable to virtually any service due to the extraordinary combination of materials and configurations. Flowserve has more than 100 distinct models handling everything from paper stock and water service, chemical process and abrasive slurries and power plant and effluent control applications. Flowserve has earned an unequalled reputation for innovative pump technology.

Application Know-How

Flowserve sales engineers are highly regarded for their knowledge and skill in helping customers solve difficult process problems. Supporting their efforts is a staff of professionally qualified materials, product and applications engineers who can provide detailed technical assistance when needed. They can also assist customers with maintenance advice as well as spare parts recommendations and inventory analysis.

Leading The Pump Industry

As the global leader in pump design and engineering for the chemical processing industry, Flowserve plays a major role in the practical implementation of new and improved process technologies. Flowserve accomplishes this through a continuous commitment to research and technology and by its leadership in these important industry organizations and committees:

TAPPI • API • ASME • ASTM • Europump • HI • ISO • NACE • NFPA





Pulp Production



Due to the pervasive use of chemicals in pulp production, corrosion- and erosion-resistant pumps are critical to the pulp and paper industry. Steeped in pump research and materials development, Flowserve offers unrivaled materials, product and application knowledge.

From the digester to the washers to the causticizers, Flowserve offers corrosion- and erosion-resistant designs to extend equipment life and increase process efficiencies.



Debarking

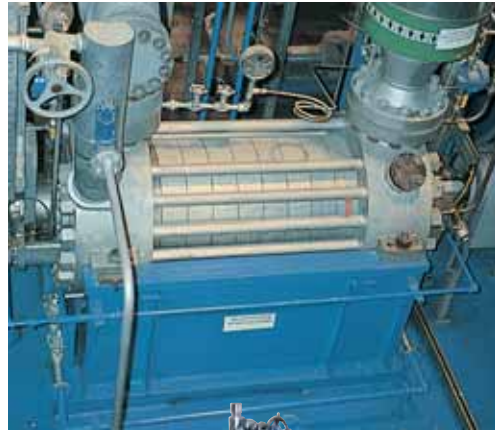
Flowserve segmental ring pumps produce the high pressure water used in debarking. Flowserve also offers recessed impeller sump pumps, slurry pumps and submersible pumps suitable for handling the large bark pieces found in this service.

Pulping

Whether using chemical, mechanical, or hybrid pulping methods, pumping cooked pulp requires abrasion and sometimes corrosion-resistant pumps, able to handle up to 70% solids content. Flowserve heavy-duty paper stock and hard metal slurry pumps provide the necessary toughness and versatility for this demanding application. Flowserve also offers a variety of ASME (ANSI) and ISO process pumps with semi-open, recessed impellers that are ideal for liquor transfer. Stainless steel centerline API type pumps are excellent for digester recirculation.

Flowserve pumps can be used with equal reliability in these demanding pulping processes:

- Defibering
- Deknotting
- Blending
- Auxiliary services



Chemical Recovery

Chemical recovery is the heart of the modern pulp mill. The recovery and reconstitution of black and green liquors and the energy provided by burning the organic by-products are critical to reducing the mill's operating costs. These processes require reliable equipment that is both corrosion- and erosion-resistant. Flowserve pumps provide the material compatibility and the design flexibility required.



Washing

Brown stock washing has a significant impact on the cost effectiveness of the pulp mill by reducing the chemical requirements for bleaching while increasing chemical recovery. In addition to its performance-proven paper stock pump, Flowserve offers centerline- and foot-mounted wash cycle pumps.

Flowserve also has two-screw pumps and axially split pumps capable of handling the higher efficiency, medium consistency wash cycles adopted by some operations.

Black Liquor

Extracted during the washing cycle, black liquor has a significant economic impact on a paper mill's cost efficiency as it can be used as a fuel source when concentrated to 65% solids or greater. Flowserve makes several evaporator service pumps to both ASME (ANSI) and ISO standards. These pumps may be specified with inducers for low NPSHA applications.

Recausticizing

Converting black and green liquors into white liquor suitable for use in the digesters is critical to the economic viability of a mill. Flowserve offers a variety of pumps for these services.

- White and green liquor transfer
 - Stock pumps, foot-mounted and centerline-mounted chemical process pumps made from erosion- and corrosion-resistant materials such as duplex stainless steels and Worthite
- Lime slaking
 - Horizontal or vertical hard metal abrasive slurry pumps

By-Product Recovery

Whether sold to market or used as fuel feed stocks, turpentine and tall oil provide economic benefit to kraft mills. Flowserve offers a variety of pumps for these applications.



Paper Stock Preparation

Whether using virgin pulp, broke or secondary fibers, preparing the fibrous raw materials for papermaking requires mechanical treatments such as refining. Imparting specific characteristics to the paper also requires the addition of many non-fibrous components such as mineral and chemical agents. To accomplish this, pulp and paper mills need pumps that are corrosion-resistant, erosion-resistant and reliable. Flowserve is a leader in the development of corrosion- and erosion-resistant materials and reliability-enhancing pump features.



Repulping

Repulping dry fibers is abrasive and requires a steady and reliable stream of fresh and reclaimed water. Flowserve gives users the most flexibility in pump type and size, ensuring optimum operating efficiencies.

Flotation Deinking

The detergents, dispersants and foaming agents used in deinking can be erosive and corrosive. Additionally, deinking services typically contain high percentages of entrained air which can reduce pump efficiency. The diverse range of products manufactured by Flowserve, including horizontal and vertical centrifugal pumps, affords users the flexibility to specify pumps to meet the requirements of each application.



Brightening and Bleaching

The chemicals used to brighten and bleach pulp require pumps that can withstand both the corrosive and erosive nature of the process. Whether employing peroxide and oxygen or chlorine-based whitening techniques, Flowserve offers paper stock, twin screw and chemical process pumps in a multitude of materials to suit the application.



Refining

Refining requires a range of pump types, from feed water to slurry transfer. Flowserve offers several proven pump models in both vertical and horizontal designs to meet application needs.

Additives

Pigments, fillers, binders, preservatives and other chemicals are added to the paper stock to impart specific characteristics to the finished paper. Flowserve single stage centrifugal pumps are ideal for this application.



Paper Manufacturing



The approach system is the heart of the paper manufacturing process. It is in this multi-pump loop that paper stock is converted into paper. In addition to producing paper, this system must accomplish multiple functions critical to the operational efficiency and cost effectiveness of the paper mill. These functions include fiber recovery, fresh water management and energy conservation. Flowserve manufactures pumps to address all these needs.



Versatility, Durability, Reliability

Regardless of the grade of paper stock or the size of the operation, Flowserve offers the pumps needed in the approach system to effectively perform the following:

- Stock circulation
 - Vertical and horizontal heavy-duty paper stock pumps; centerline-mounted pumps; and metallic or non-metallic chemical process pumps
- Stock feed
 - Heavy-duty paper stock pumps; one and two stage, low pulse, high-efficiency pumps suitable for today's high speed paper machines
- Fresh and process water supply
 - Vertical and horizontal axially split, single and double suction pumps to handle a wide range of flows and pressures
- White water
 - Heavy-duty paper stock pumps; centerline-mounted pumps; and metallic or non-metallic centrifugal process pumps
- Shower water
 - Heavy-duty paper stock pumps; ring section pumps; and axially split pumps for high pressure shower pumps
- Surface treatments
 - Vertical and horizontal chemical slurry pumps; and heavy-duty paper stock pumps



*Mill and
Environmental
Services*

Flowserve is among the world's largest industrial pump manufacturers. In addition to its capabilities in the pulp and paper industry, Flowserve is a leading supplier of pumps for power and steam generation, water resources and chemical processing. This strength permits Flowserve to satisfy virtually all its customers' plant-wide pumping needs from process water to the power house to auxiliary services.



Raw Water Supply

Flowserve offers a complete line of efficient and reliable pumps with the flexibility to meet any application. Models include: double suction wet-pit volute pumps; single and double stage deep well vertical turbine pumps; and horizontally split centrifugal pumps.



Power Generation

The comprehensive line of pump products and pumping systems manufactured by Flowserve are ideally suited for on-site power generation. Services include:

- Boiler feed water
- Circulating water
- Condensate cooling water
- Flue gas desulfurization



Pollution Control

Pulp and paper mills implement costly abatement programs to reduce or eliminate pollutants, such as effluent solids, malodorous sulfur compounds and airborne particulate matter. Flowserve produces a variety of vertical and horizontal solids-handling pumps for concentrating and dewatering sludge and chemically-laden waste streams.

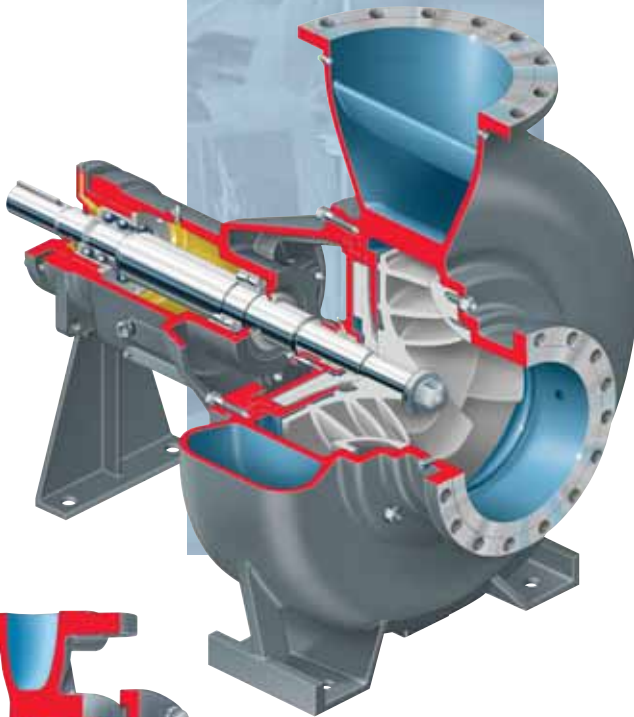


Auxiliary Services

- System protection
- Sump drain off
- Safety systems
- High pressure washdown
- General service



Paper Stock Pumps



Heavy-Duty Paper Stock Process Pumps

Horizontal and vertical designs available

Operating Parameters

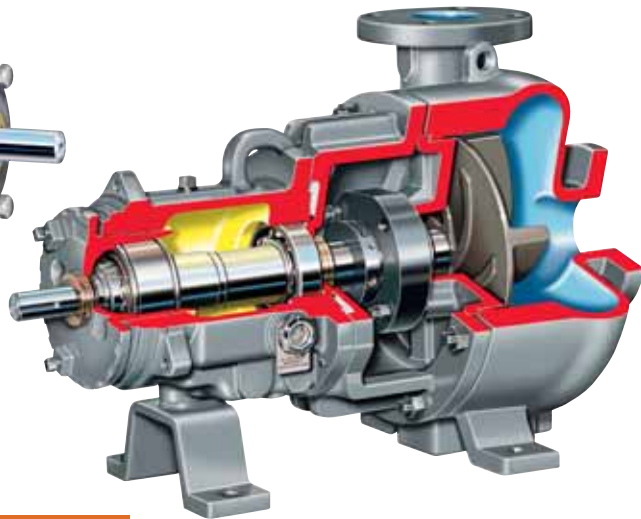
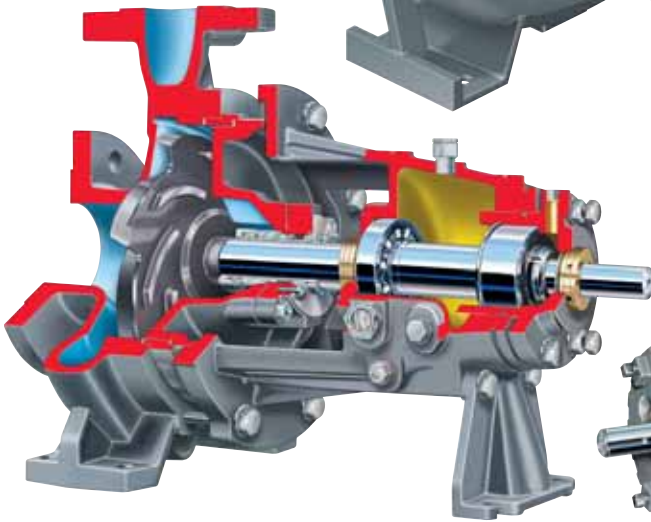
- Flows to 6800 m³/h (30 000 gpm)
- Heads to 100 m (325 ft)
- Temperatures to 150°C (300°F)
- Pressures to 15 bar (200 psi)

ASME (ANSI) and ISO Recessed Impeller Chemical Process Pumps

Horizontal, single stage, recessed impeller, chemical process pumps to ASME B73.1 and ISO 2858-5199

Operating Parameters

- Flows to 450 m³/h (2000 gpm)
- Heads to 120 m (400 ft)
- Temperatures to 350°C (660°F)
- Pressures to 25 bar (365 psi)

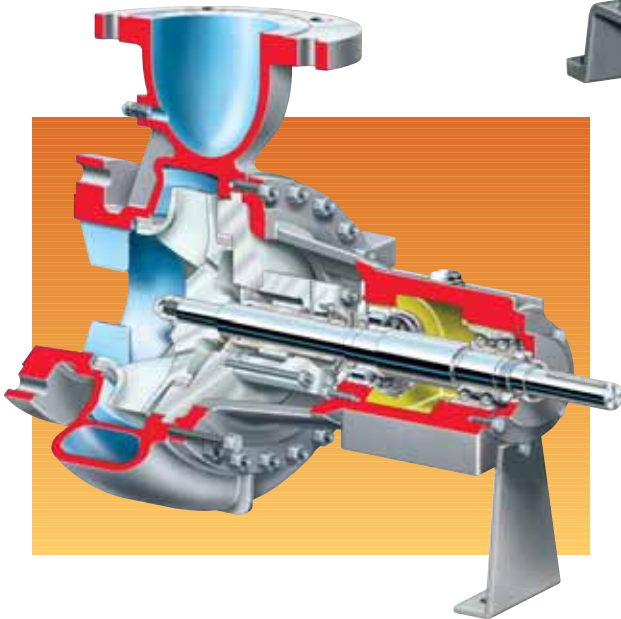


Centerline-Mounted Process Pumps

Horizontal, single stage, end suction top discharge, centerline-mounted, API standard pumps

Operating Parameters

- Flows to 2000 m³/h (9000 gpm)
- Heads to 350 m (1100 ft)
- Temperatures to 450°C (850°F)
- Pressures to 80 bar (1160 psi)



Vertical Turbine Pumps

Multistage with above or below ground discharge, enclosed or semi-open impellers, open or enclosed lineshafts, single or double casing

Operating Parameters

- Flows to 13 600 m³/h (60 000 gpm)
- Heads to 700 m (2300 ft)
- Temperatures to 300°C (570°F)
- Pressures to 150 bar (2175 psi)

Wet-Pit, Vertical Pumps

Vertical, wet-pit, double suction impeller, between bearings, double volute centrifugal pumps with enclosed or open lineshafts

Operating Parameters

- Flows to 20 000 m³/h (90 000 gpm)
- Heads to 610 m (2000 ft)
- Temperatures to 200°C (400°F)
- Pressures to 70 bar (1000 psi)

Between Bearings, Single Stage Pumps

Horizontal, axially split, single stage, double suction centrifugal pumps. Pump configurations include a vertical mounted option and selected sizes of bottom suction models

Operating Parameters

- Flows to 51 000 m³/h (225 000 gpm)
- Heads to 300 m (985 ft)
- Temperatures to 150°C (300°F)
- Pressures to 30 bar (435 psi)

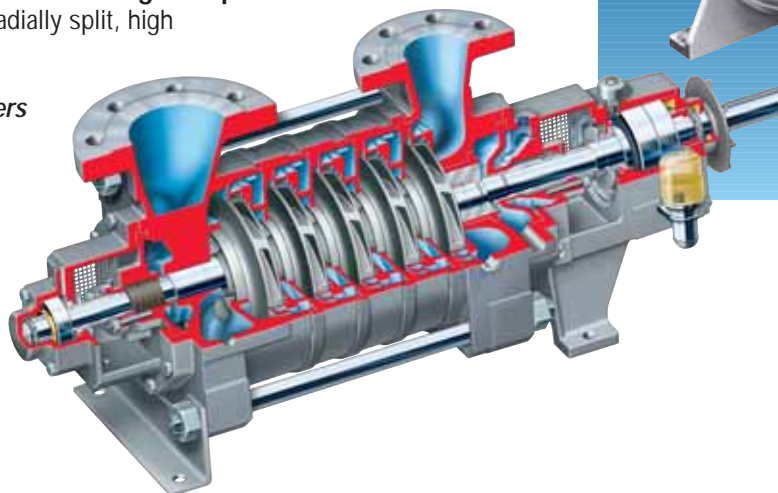
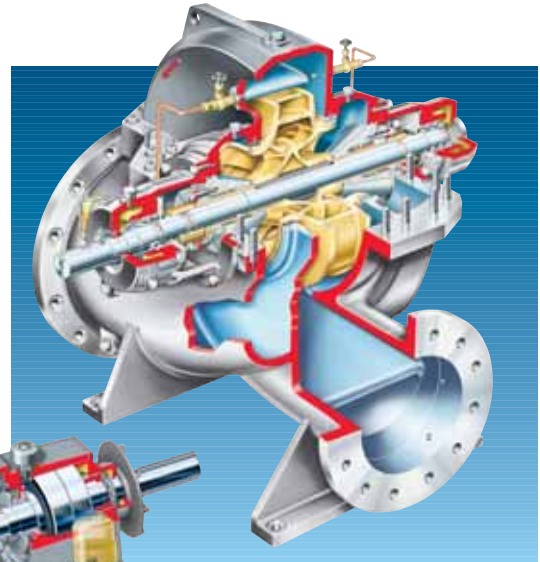
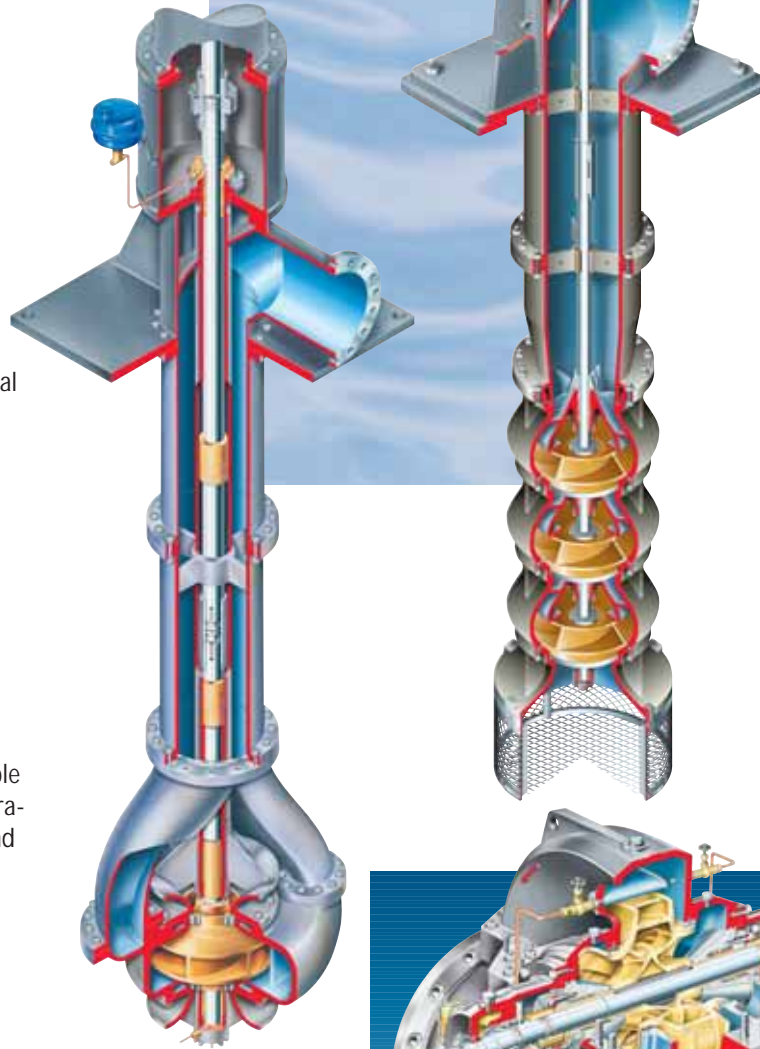
Multistage, Segmental Ring Pumps

Between bearings, radially split, high pressure designs

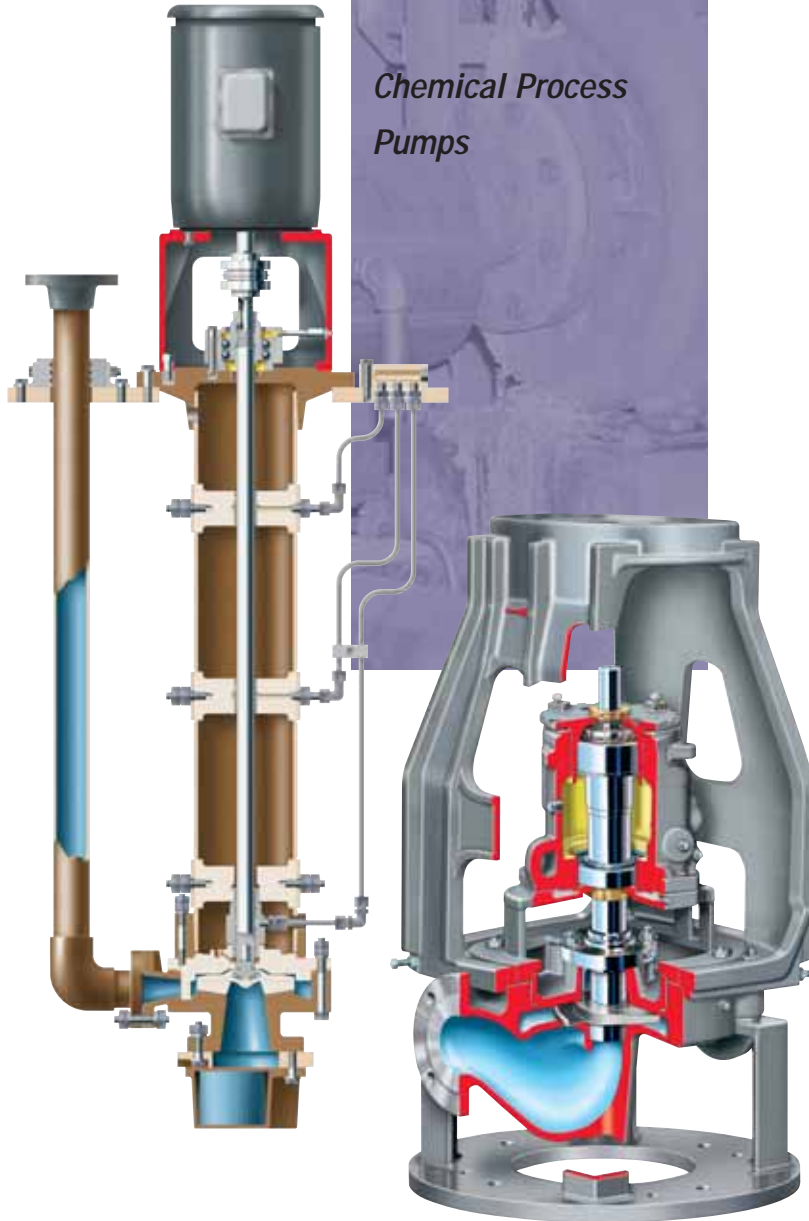
Operating Parameters

- Flows to 90 m³/h (400 gpm)
- Heads to 450 m (1500 ft)
- Temperatures to 150°C (300°F)
- Pressures to 45 bar (640 psi)

Water-Handling Pumps



Chemical Process Pumps



Vertical Wet-Pit Process Pumps

Versatile, fiber reinforced polymer and metallic designs for corrosive services

Operating Parameters

- Flows to 3200 m³/h (14 000 gpm)
- Heads to 250 m (820 ft)
- Temperatures to 350°C (660°F)
- Pressures to 25 bar (365 psi)

ASME (ANSI) Chemical Process Pumps

Horizontal, single stage, chemical process pumps to ASME B73.1 and vertical in-line chemical pumps to ASME B73.2

Operating Parameters

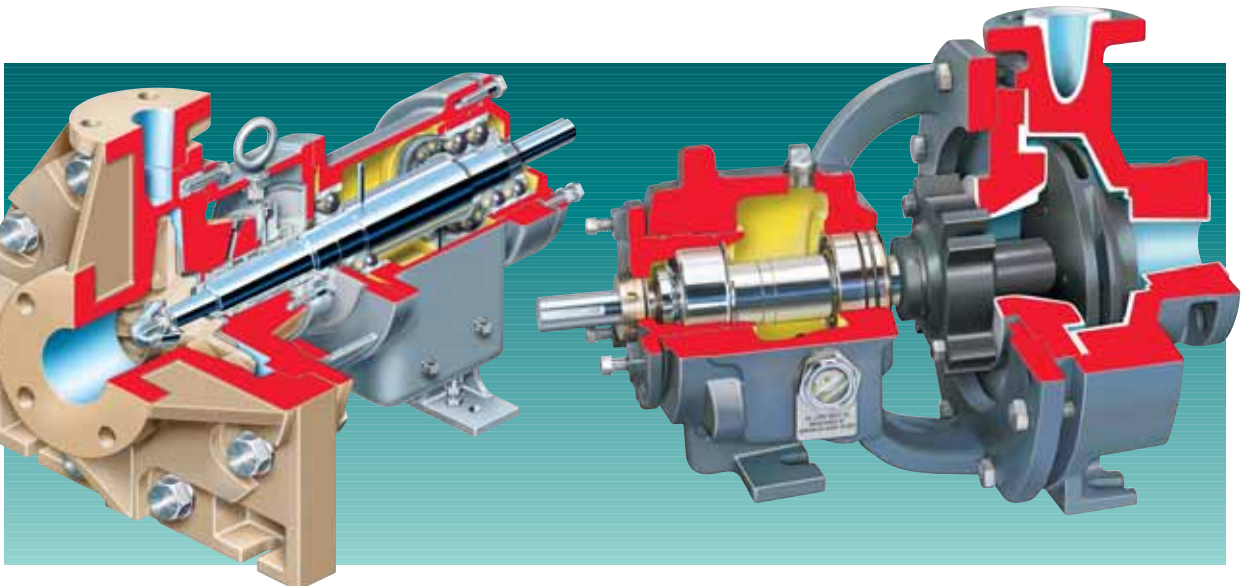
- Flows to 1680 m³/h (7400 gpm)
- Heads to 300 m (985 ft)
- Temperatures to 370°C (700°F)
- Pressures to 27 bar (400 psi)

ASME (ANSI) and ISO Non-Metallic Process Pumps

Horizontal, single stage, chemical process pumps to ASME B73.5 and ISO 2858

Operating Parameters

- Flows to 2500 m³/h (11 000 gpm)
- Heads to 220 m (725 ft)
- Temperatures to 150°C (300°F)
- Pressures to 17 bar (250 psi)

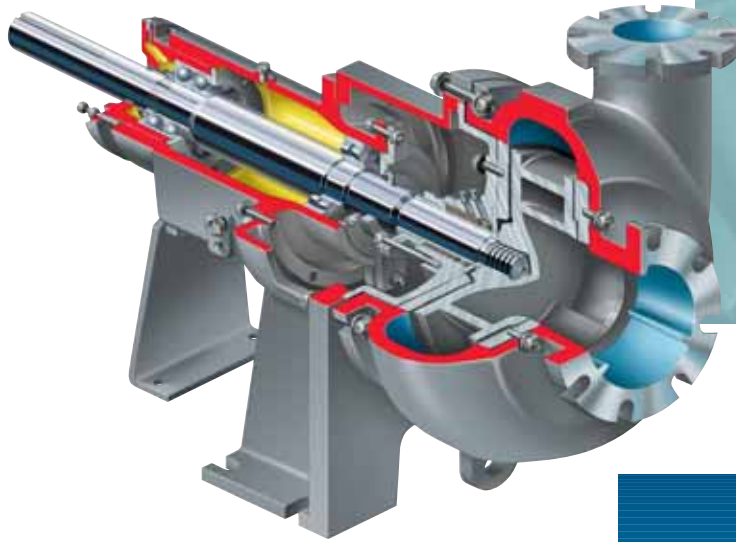


Hard Metal Abrasive Slurry Pumps

Horizontal and vertical designs available

Operating Parameters

- Flows to 10 000 m³/h (44 000 gpm)
- Heads to 90 m (300 ft)
- Temperatures to 120°C (250°F)
- Pressures to 10 bar (150 psi)



Abrasive Slurry Pumps

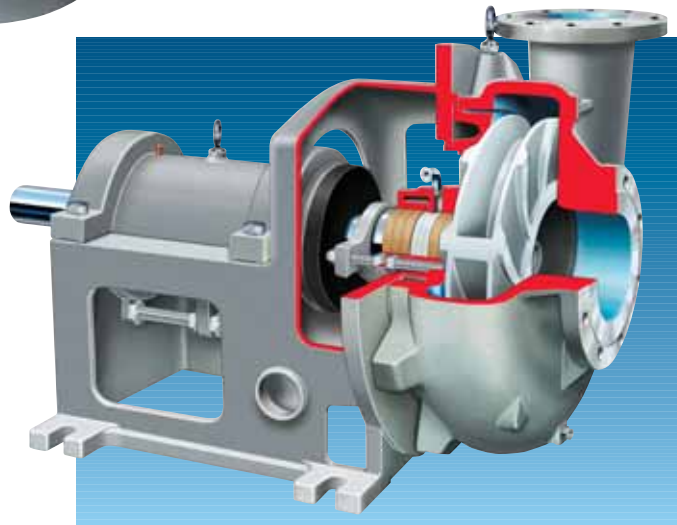


Chemical Slurry Pumps

Horizontal and vertical designs available

Operating Parameters

- Flows to 3000 m³/h (13 200 gpm)
- Heads to 90 m (300 ft)
- Temperatures to 140°C (285°F)
- Pressures to 16 bar (285 psi)

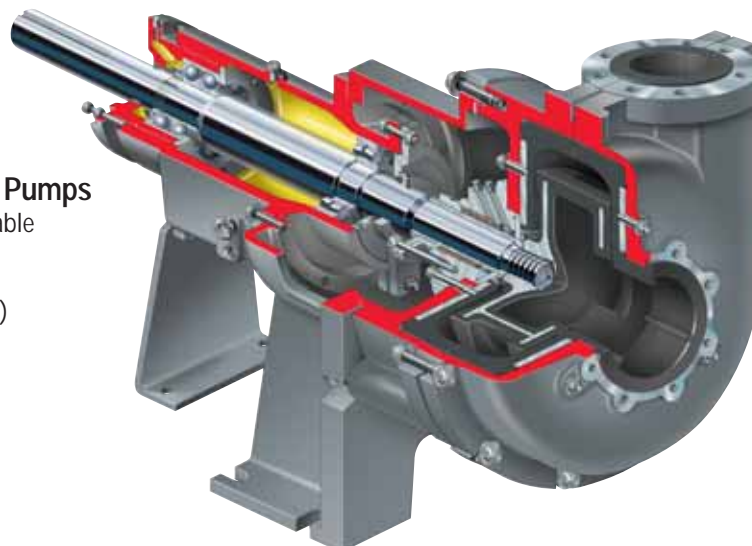


Rubber-Lined Abrasive Slurry Pumps

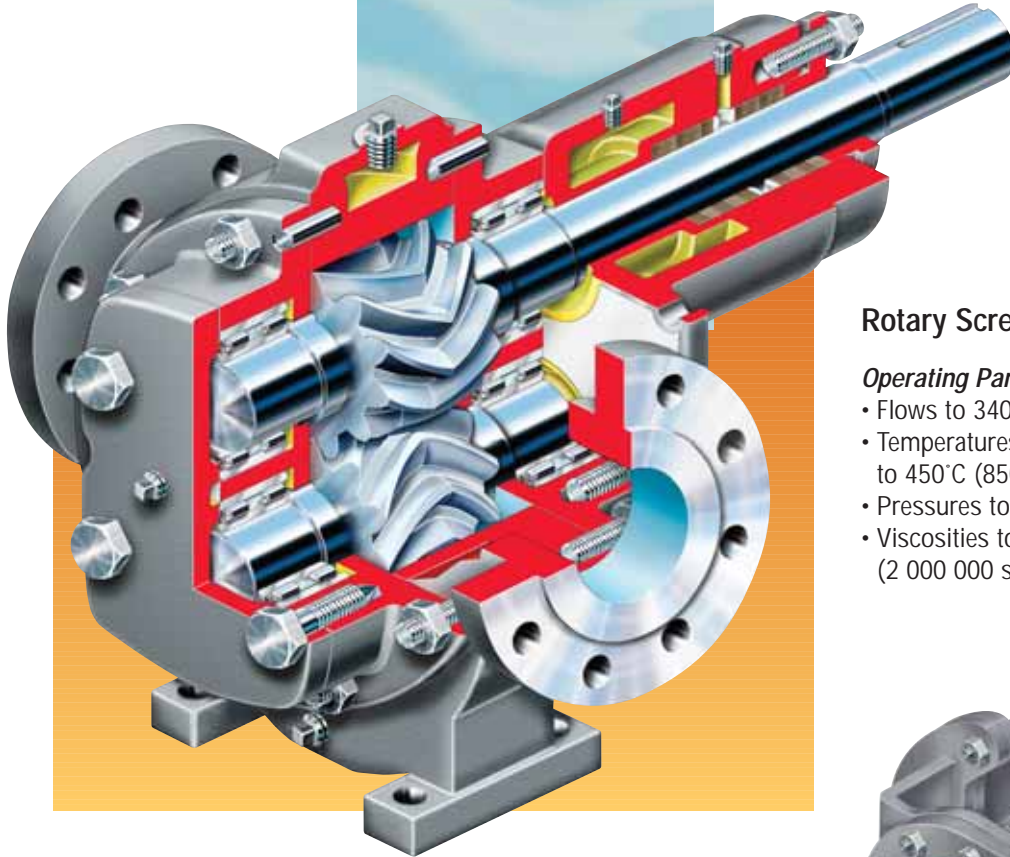
Horizontal and vertical designs available

Operating Parameters

- Flows to 10 000 m³/h (44 000 gpm)
- Heads to 50 m (160 ft)
- Pressures to 10 bar (150 psi)



*High Viscosity,
Special Service
Pumps*



Rotary Gear Pumps

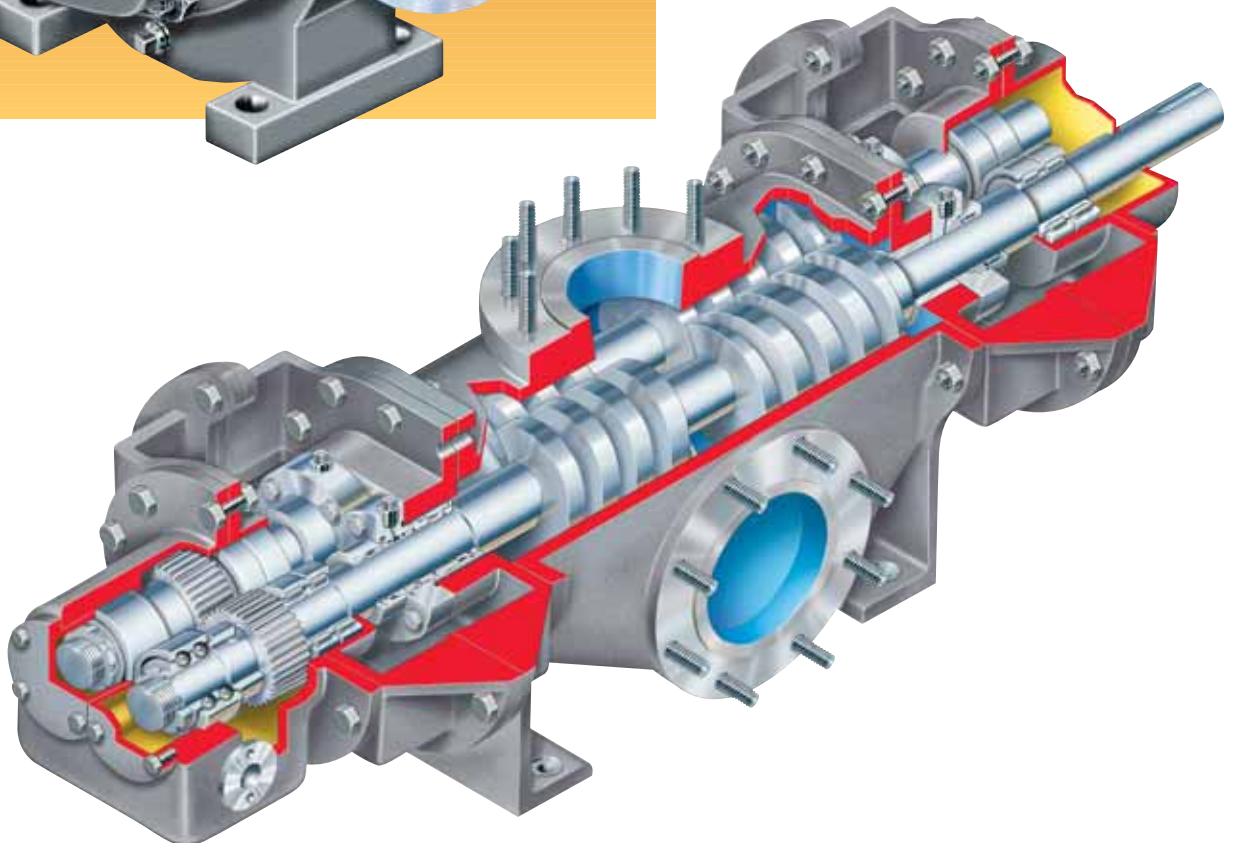
Operating Parameters

- Flows to 180 m³/h (800 gpm)
- Temperatures to 450°C (850°F)
- Pressures to 24 bar (350 psi)
- Viscosities from 1 cps (32 ssu) to 200 000 cps (1 000 000 ssu)

Rotary Screw Pumps

Operating Parameters

- Flows to 3400 m³/h (15 000 gpm)
- Temperatures from 50°C (-60°F) to 450°C (850°F)
- Pressures to 240 bar (3500 psi)
- Viscosities to 400 000 cps (2 000 000 ssu)

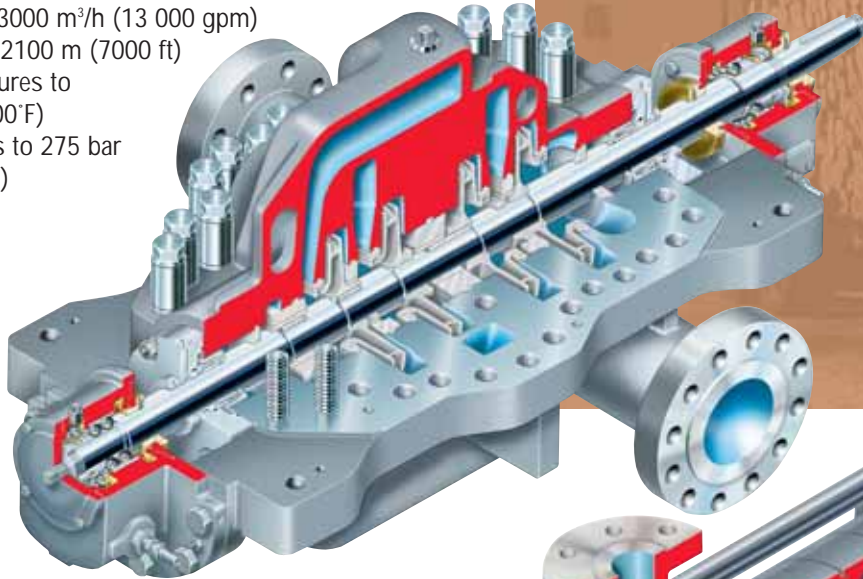


Multistage, Horizontal Split Case Volute Pumps

Between bearings, axially split, dual volute case, side suction, side discharge

Operating Parameters

- Flows to 3000 m³/h (13 000 gpm)
- Heads to 2100 m (7000 ft)
- Temperatures to 200°C (400°F)
- Pressures to 275 bar (4000 psi)



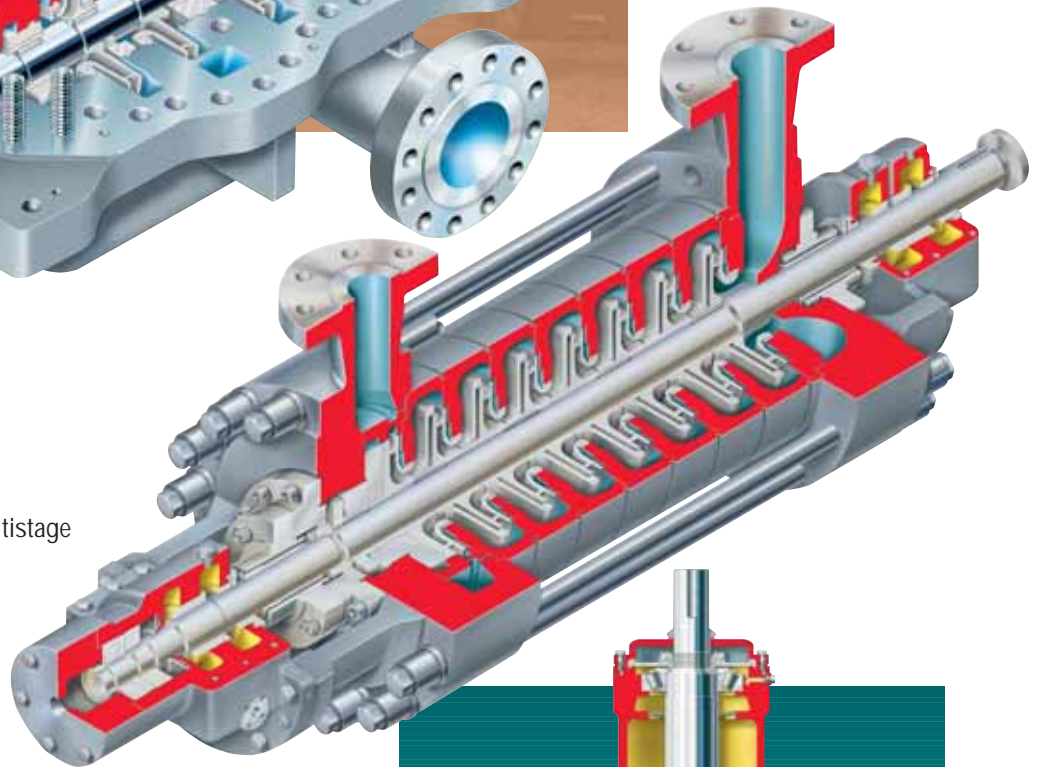
*Power Generation
and Pollution
Control Pumps*

Multistage, Segmental Ring Diffuser Pumps

Between bearings, radially split, multistage designs

Operating Parameters

- Flows to 1160 m³/h (5100 gpm)
- Heads to 2750 m (9000 ft)
- Temperatures to 240°C (465°F)
- Pressures to 310 bar (4500 psi)

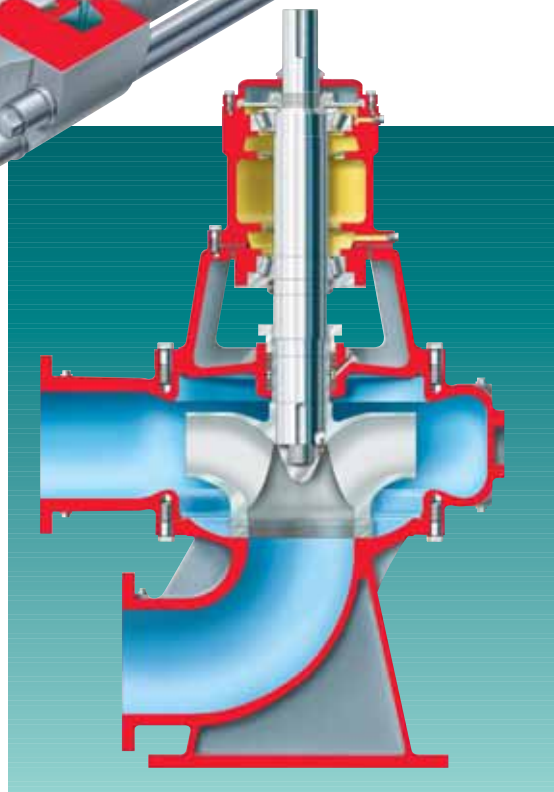


End Suction, Side Discharge, Mixed-Flow, Non-Clog Pumps

Single stage, overhung, non-clogging impeller; horizontal frame-mounted, vertical frame-mounted, or independently-mounted motor, including extended shafting

Operating Parameters

- Flows to 45 450 m³/h (200 000 gpm)
- Heads to 90 m (300 ft)
- Sizes 75 mm (3 in) to 1800 mm (72 in)



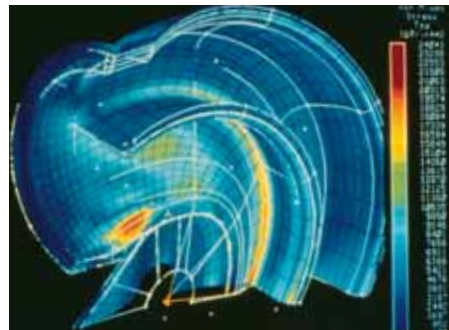
*Technology, Technical
Support and Service*

Innovation Through Dynamic Technology

Flowserve is without peer in the development, refinement and application of pump technology. This dynamic creativity is reflected in the strength of the company's commitment to:

- Hydraulic engineering
- Mechanical design
- Materials science
- Intelligent pumping
- Manufacturing technology

All research and technology efforts are directed toward providing customers with greater total value for their investments in Flowserve products and systems. Further, these capabilities enable Flowserve to quickly and accurately provide the best possible solutions to customers' specific pumping problems.



Pump Improvement Engineering Services

The goal of this specialty service is to help plant technical personnel achieve optimal pumping solutions through engineering and technological assistance. Reducing the costs of operation and maintenance while improving overall equipment reliability is achieved through:

- Field performance testing
- Vibration analysis
- Design analysis and root-cause problem solving
- Material improvements
- Pump and system audit
- Advanced technology solutions
- Nuclear Maintenance Rule support
- PumpTrac™ remote pump monitoring and diagnostic services
- Instruction manual updates
- Training courses

Parts and Service

Quality OEM parts are readily available from a worldwide network of Flowserve service and repair centers, fast response centers and regional parts services offices. All are computer networked to provide "as soon as possible" response to customers' requests for assistance.

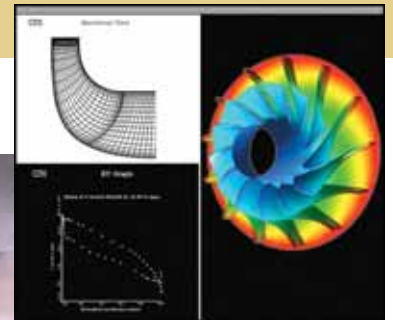
Customer service technicians are on call around the clock, seven days a week to respond to customer queries, to evaluate and troubleshoot reported pump problems and to provide reliable solutions.



Engineered Services

Flowserve Engineered Services is dedicated to maximizing equipment performance and reliability-centered maintenance programs. Pump related services include:

- Startup and commissioning
- Diagnostics and prognostics
- Contract maintenance programs
- Routine and repair maintenance
- ANSI and ISO power end exchange program
- Mechanical seal exchange program
- Re-rates, upgrades and retrofits
- Spare parts inventory and management programs
- Training



*Flowserve... Supporting Our Customers
With The World's Leading
Pump Brands*



USA and Canada

Flowserve Corporation
5215 North O'Connor Blvd.
Suite 2300
Irving, Texas 75039 USA
Telephone: 1 972 443 6500
Telefax: 1 972 443 6800

Europe, Middle East, Africa

Flowserve Corporation
Via Rossini 90/92
20033 Desio (Milan), Italy
Telephone: 39 0362 6121
Telefax: 39 0362 303396



Latin America and Caribbean

Flowserve Corporation
6840 Wynnwood Lane
Houston, Texas 77008 USA
Telephone: 1 713 803 4434
Telefax: 1 713 803 4497

Asia Pacific

Flowserve Pte. Ltd.
200 Pandan Loop #06-03/04
Pantech 21
Singapore 128388
Telephone: 65 6775 3003
Telefax: 65 6779 4607

Your local Flowserve representative:

**To find your local Flowserve representative
please use the Sales Support Locator System
found at www.flowserve.com**

Or call toll free: 1 800 728 PUMP